

SUBMITTAL SHEET
CRA SERIES
FAN FORCED
RESIDENTIAL FAN-FORCED
ZONAL HEATERS

Clip-N-Fit Feature
 (US Patent No. 6,172,343)



CRA SERIES - RESIDENTIAL FAN FORCED ZONAL HEATERS

JOB NAME: _____
 LOCATION: _____
 ARCHITECT: _____
 ENGINEER: _____
 CONTRACTOR: _____
 SUBMITTED BY: _____
 DATE: _____

| ITEM | QTY. | CATALOG NUMBER | TAG | WATTS | VOLTS | PH | AMPS |
|------|------|----------------|-----|-------|-------|----|------|
| | | | | | | | |
| | | | | | | | |
| | | | | | | | |
| | | | | | | | |
| | | | | | | | |
| | | | | | | | |
| | | | | | | | |
| | | | | | | | |
| | | | | | | | |

ACCESSORIES
 AND
 CONTROLS

| ITEM | QTY. | CAT. NO. | TAG | DESCRIPTION |
|------|------|----------|-----|-------------|
| | | | | |
| | | | | |
| | | | | |
| | | | | |

| | | | |
|----------------------|-------------|---------------------|-------------|
| SUBMITTED BY: | DATE | APPROVED BY: | DATE |
| | | | |
| | | | |
| | | | |



A Marley Engineered Products Brand

470 Beauty Spot Rd. E, Bennettsville, SC 29512
visit www.berkomep.com for more info

ARCHITECT'S AND ENGINEER'S SPECIFICATIONS*

The heating equipment shall include an electric automatic fan forced heater suitable for small area heating, as manufactured by Berko, A Marley Engineered Products Brand, Bennettsville, SC. The heater shall be designed for wall mounting, recess or surface. Heaters shall be cULus listed.

HEATER ASSEMBLY: The heater assembly which fits into the back box shall consist of a heavy gauge steel fan panel upon which is mounted all of the operational parts of the heater.

HEATING ELEMENT: The heating element shall be guaranteed for two years and shall be of non-glowing design consisting of quality nickel chromium resistance wire. It shall provide quick, uniform heat and shall operate in the black heat range. The element shall cover the entire air discharge area to ensure uniform heating of all discharge air. The wattage output of the unit shall be adjustable by clipping jumper wires on a wattage control terminal board and upon final installation have a permanent means of fixed wattage. See Clip-n-fit® feature below.

FAN AND MOTOR: The fan shall be four bladed of VALOX 420 material. The fan motor shall be a shaded 2 pole motor, impedance protected, class "B" insulation with permanently lubricated bearing.

THERMOSTAT: The thermostat shall be of the bi-metallic, 2 poles, snap action type with enclosed contacts.

THERMAL CUTOFF: Dual Protection: Built in thermal cutoff shuts off heater in event of overheating. Indicator light to notify when the unit has been de-energized. And a one time thermal fuse for back up.

SELECTION CHART

| CATALOG NUMBER | VOLTS | WATTS | AMPS | BTU/HR. | SHIP WT. |
|---|-------|--------------------|-------------------|-----------------------|----------|
| CRA1512-IF | 120 | 1500/1125/750/375 | 12.5/9.4/6.3/3.1 | 5118/ 3838/ 2560/1280 | 10 lbs. |
| CRA2028-IF | 208 | 2000/1500/1000/500 | 9.6/7.2/4.8/2.4 | 6824/ 5118/ 3412/1706 | 10 lbs. |
| CRA2024-IF | 240 | 2000/1500/1000/500 | 8.3/ 6.3/4.2/ 2.1 | 6824/ 5118/ 3412/1706 | 10 lbs. |
| | 208 | 1500/1125/750/375 | 12.5/9.4/6.3/3.1 | 5118/ 3838/ 2560/1280 | |
| CRA2224-IF | 240 | 2250/1688/1125/563 | 9.4/7.0/4.7/2.4 | 7677/ 5760/ 3838/1920 | 10 lbs. |
| | 208 | 1688/1266/844/422 | 8.1/6.1/ 4.1/2.0 | 5760/ 4320/ 2880/1440 | |
| COMPLETE UNITS WITH BUILT-IN DOUBLE POLE THERMOSTAT | | | | | |
| CRA1512-T2 | 120 | 1500/1125/750/375 | 12.5/ 9.4/6.3/3.1 | 5118/ 3838/2560/1280 | 11 lbs. |
| CRA2024-T2 | 240 | 2000/1500/1000/500 | 8.3/ 6.3/4.2/2.1 | 6824/ 5118/3412/1706 | 11 lbs. |
| | 208 | 1500/1125/750/375 | 12.5/ 9.4/6.3/3.1 | 5118/3838/2560/1280 | |
| CRA2224-T2 | 240 | 2250/1688/1125/563 | 9.4/7.0/4.7/2.4 | 7677/5760/3838/1920 | 11 lbs. |
| | 208 | 1688/1266/ 844/422 | 8.1/6.1/4.1/2.0 | 5760/4320/2880/1440 | |

NOTE: "IF" models include heater assembly and grille only. Order back box separately: See accessories

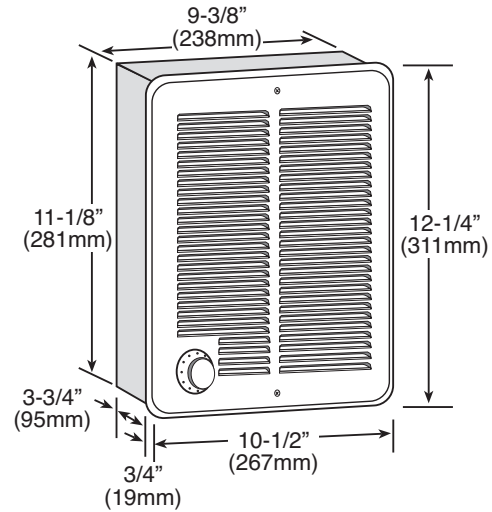
NOTE: For installations over 7500 feet above sea level we recommend using models under 1500 watts.

NOTE: T2 model are complete heater assemblies with grille, back box, and thermostat.

ACCESSORIES

| CATALOG NUMBER | DESCRIPTION | SHIP WT. |
|----------------|--|----------|
| CRABB | Back Box Only (Used with "IF" suffix models) | 2 lbs. |
| CRABB6 | Back Box Multi-pack (Used with "IF" suffix models) | 10 lbs. |
| CRATDP | D.P. Thermostat Kit (Range: 40-85°) | 1 lb. |
| CRASM | Surface Mounting Frame | 2 lbs. |
| CRA2AFKIT | Retro Kit for A Series Back Box | 1 lb. |

| | |
|------------------|--------------|
| Thermostat range | 45° to 135°F |
| Air Movement | 50 CFM |



FRONT COVER: The louvered front cover shall be of heavy gauge steel finished in Northern White high temperature powder paint. A plug button will be provided to replace the thermostat knob and render the unit tamper resistant.

BACKBOX: The backbox shall be designed as a recessed box in either masonry or frame installations and is also used with the surface mounting frame in surface mounting installations. The back box shall be heavy gauge galvanized steel and shall contain knockouts through which power leads are brought in for wiring.

THREE PIECE DESIGN: The heater shall be made up of a backbox, a heater assembly and a front panel for recessed installations. Surface mounting installations shall required the use of a surface mounting frame.

SURFACE MOUNTING FRAME: The surface mounting frame shall be of commercial grade steel, designed to mount around the backbox for a finished surface installation. Slot knockouts shall be provided for power supply conduit.

*QMark reserves the right to change specifications without prior notice.

MOUNTING LIMITATIONS

Do not install back box closer than 4.5 inches from floor, adjacent walls and 12 inches from ceiling. Units 1000W or less can be ceiling mounted. Do not install heater behind towel rack, behind door, in floor, in closet, or where airflow may be obstructed. To insure proper operation, maintain 5-foot minimum clearance to furniture or other objects placed directly in front of the heater.

CLIP-N-FIT® FEATURE

Patented Clip-N-Fit® feature (US Patented No. 6,172,343) allows the installer to change the wattage of the heater to a lower output without moving jumper wire. Each heater is factory wired for its maximum wattage. To change wattage, clip out either jumper 1 or 2 as shown in the installation manual for desired wattage. This Patented Clip-N-Fit® feature also prevents the operator to change wattage after installation to a higher wattage.